



SMT Balun Transformers - SRIDB6044 SERIES



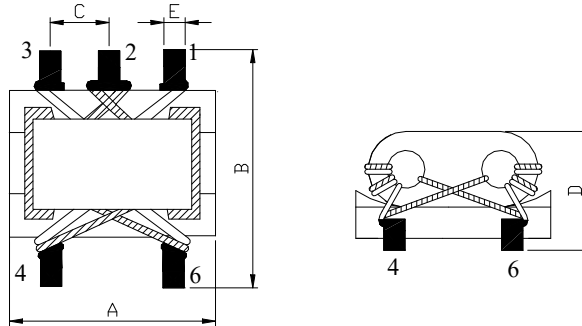
FEATURES

- * Pair wire coil for high stability.
- * Base pin terminal treated, allowing mounting as is on a PCB.

APPLICATIONS

- * Double balance mixers, broad-band transformers, impedance transformers, etc.

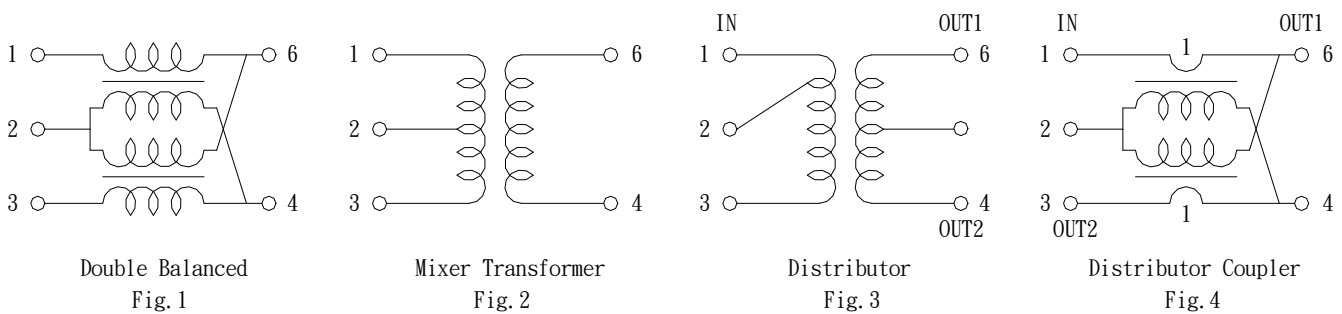
SHAPES AND DIMENSIONS



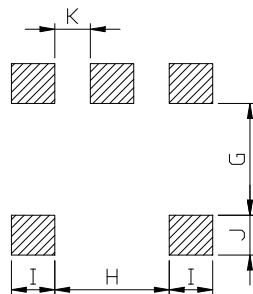
UNIT : mm

A=6.2 Max. B=6.5 Max. C=2.0±0.2 D=4.5 Max. E=0.6 Ref.

PIN CONNECTION



PCB LAYOUT



UNIT : mm

G=4.5 Ref. H=2.9Ref. I=1.1 Ref. J=1.0 Ref. K=0.9 Ref.



SMT Balun Transformers - SRIDB6044 SERIES

SPECIFICATION TABLE

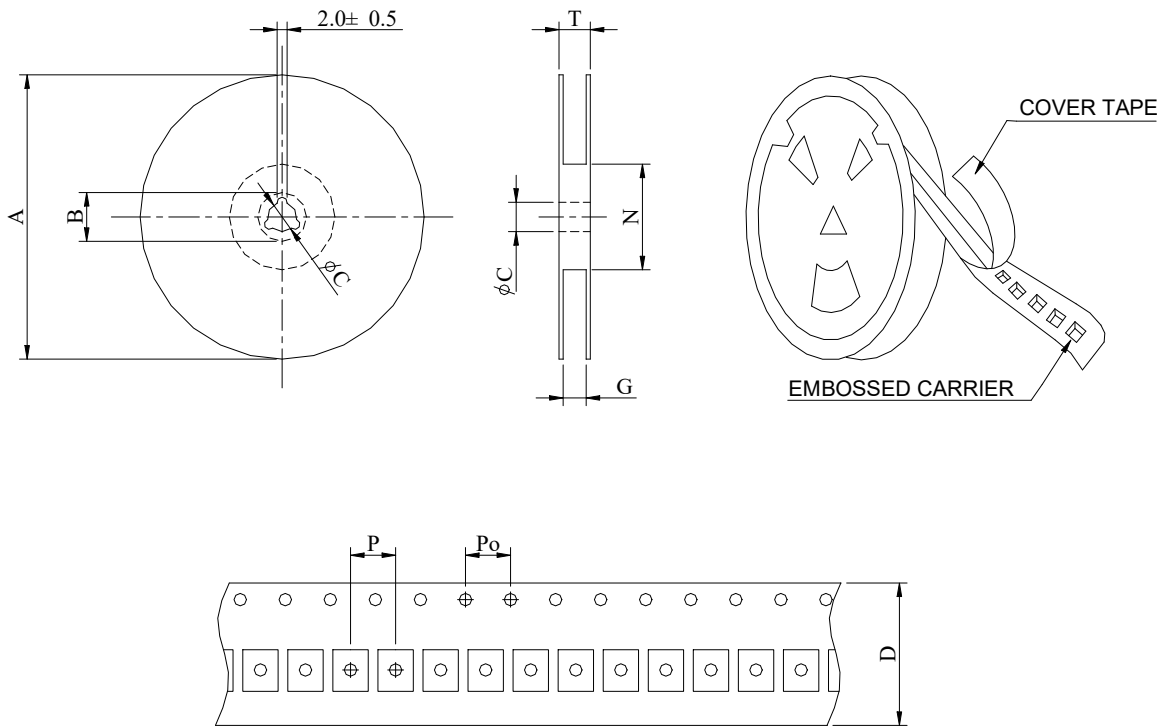
PART NUMBER	WINDING TURNS	OPERATING FREQUENCY RANGE (MHz)	INSERTION LOSS (dB)	PIN CONNECTION Fig.
Double Balanced Mixer				
SRIDB6044-1003A-LF	3x4	8MHz~800MHz	3.5dB Max.	1
SRIDB6044-1005A-LF	2x4	400MHz~1.3GHz	4dB Max.	1
SRIDB6044-1008A-LF	4x4	6MHz~600MHz	2.5dB Max.	1
SRIDB6044-1011A-LF	5x4	5MHz~500MHz	2dB Max.	1
SRIDB6044-1012A-LF	1x4	50MHz~400MHz	10dB Max.	1
SRIDB6044-1013A-LF	2x4	10MHz~1.0GHz	6dB Max.	1
Frequency Mixer Pri Sec				
SRIDB6044-1024A-LF	3x2 3	3.5 MHz~470MHz	3dB Max.	2
SRIDB6044-1052A-LF	2x2 2	9MHz~350MHz	3dB Max.	2
SRIDB6044-1085A-LF	1x2 1	—	3dB Max.	2
SRIDB6044-1086A-LF	4x2 4	2.2MHz~400MHz	3dB Max.	2
SRIDB6044-1087A-LF	5x2 5	1.5MHz~300MHz	3dB Max.	2
Distributor				
SRIDB6044-1014A-LF	—	20MHz~600MHz	IN to OUT-1,2 4.5dB Max. OUT-1 to OUT-2 (ISOLATION) 10dB Min.	3
Directional Coupler				
SRIDB6044-1006A-LF	5	6MHz~600MHz	IN to OUT-1 0.9dB Max. IN to OUT-2 13~16dB	4
SRIDB6044-1007A-LF	6	6MHz~600MHz	IN to OUT-1 0.8dB Max. IN to OUT-2 15~17dB	4
SRIDB6044-1015A-LF	4	6MHz~600MHz	IN to OUT-1 1.3dB Max. IN to OUT-2 11~14dB	4



SMT Balun Transformers - SRIDB6044 SERIES



PACKAGING SPECIFICATION



SERIES	STAYLE	Q'TY (PCS)	DIMENSIONS (m/m)								
			A	B	C	D	G ⁺⁰	N ⁰	P	Po	T
SRIDB6044	12	1000	330				12.5	100	12	4	